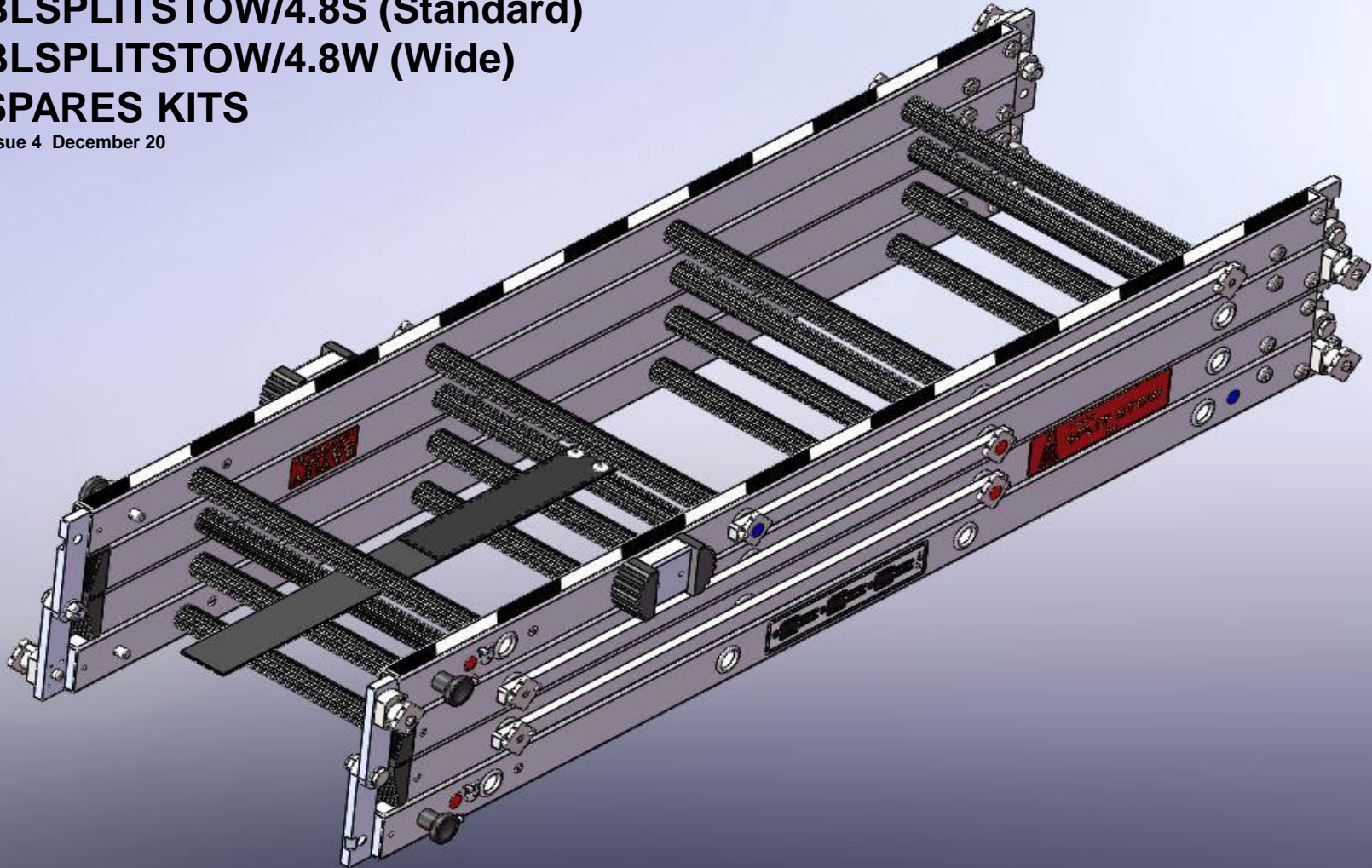


**BLSPLITSTOW/4.8S (Standard)**  
**BLSPLITSTOW/4.8W (Wide)**  
**SPARES KITS**

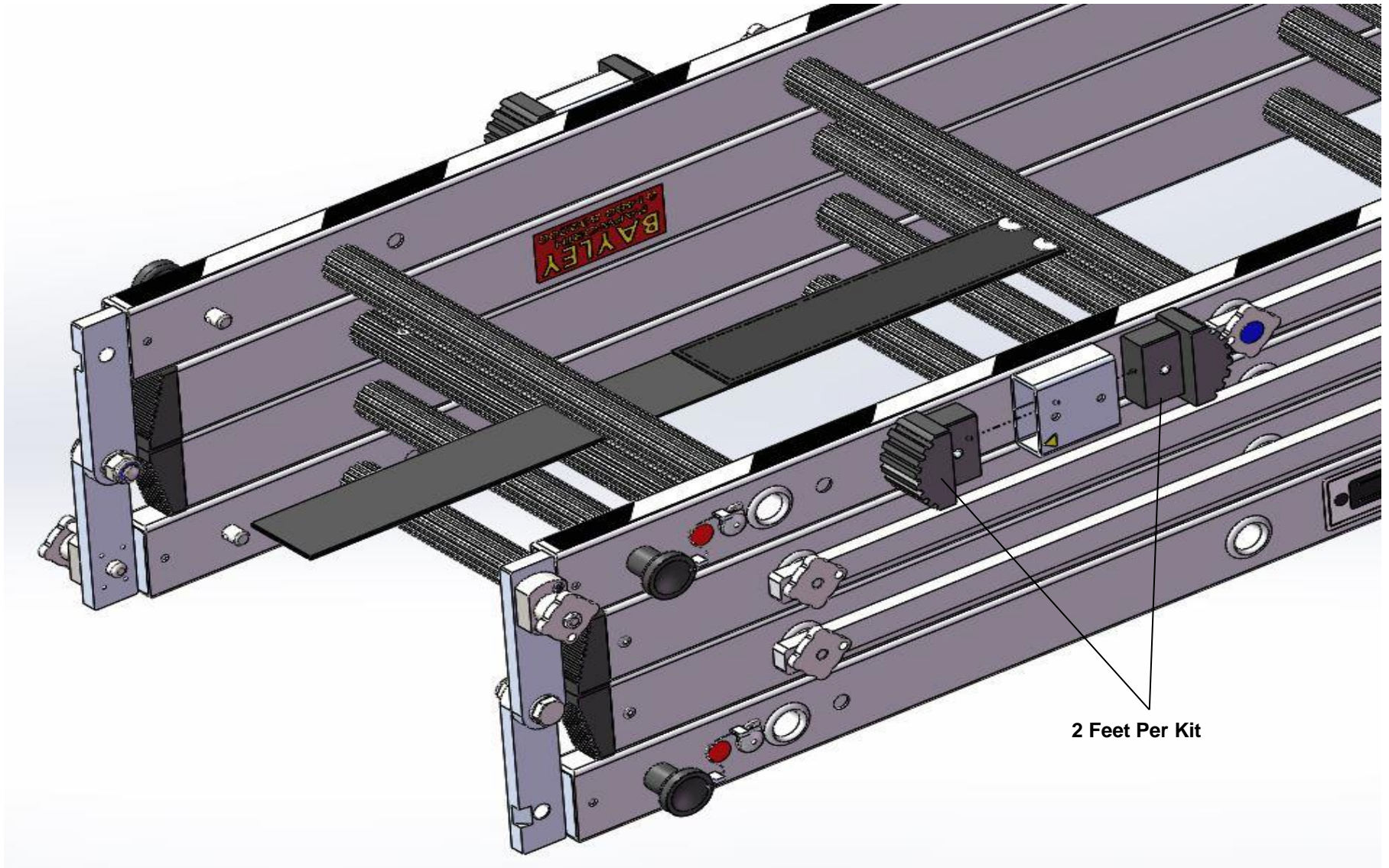
Issue 4 December 20



**BLSPLITSTOW/4.8S & BLSPLITSTOW/4.8W  
 SPARES KITS  
 CATALOGUE/CONTENTS PAGE 1**

Description	Page No
Index Page	
BLSPLITSTOW/KIT1 (Removable Feet)	2
BLSPLITSTOW/KIT2 (Link Arms)	3
BLSPLITSTOW/KIT3 (Ball Lock Pin & Lanyard)	4
BLSPLITSTOW/KIT4 (Removable Hinges)	5
BLSPLITSTOW/KIT5 (Fixed Hinges)	6

**BLSPLITSTOW/KIT1**  
Removable Feet – 2 off

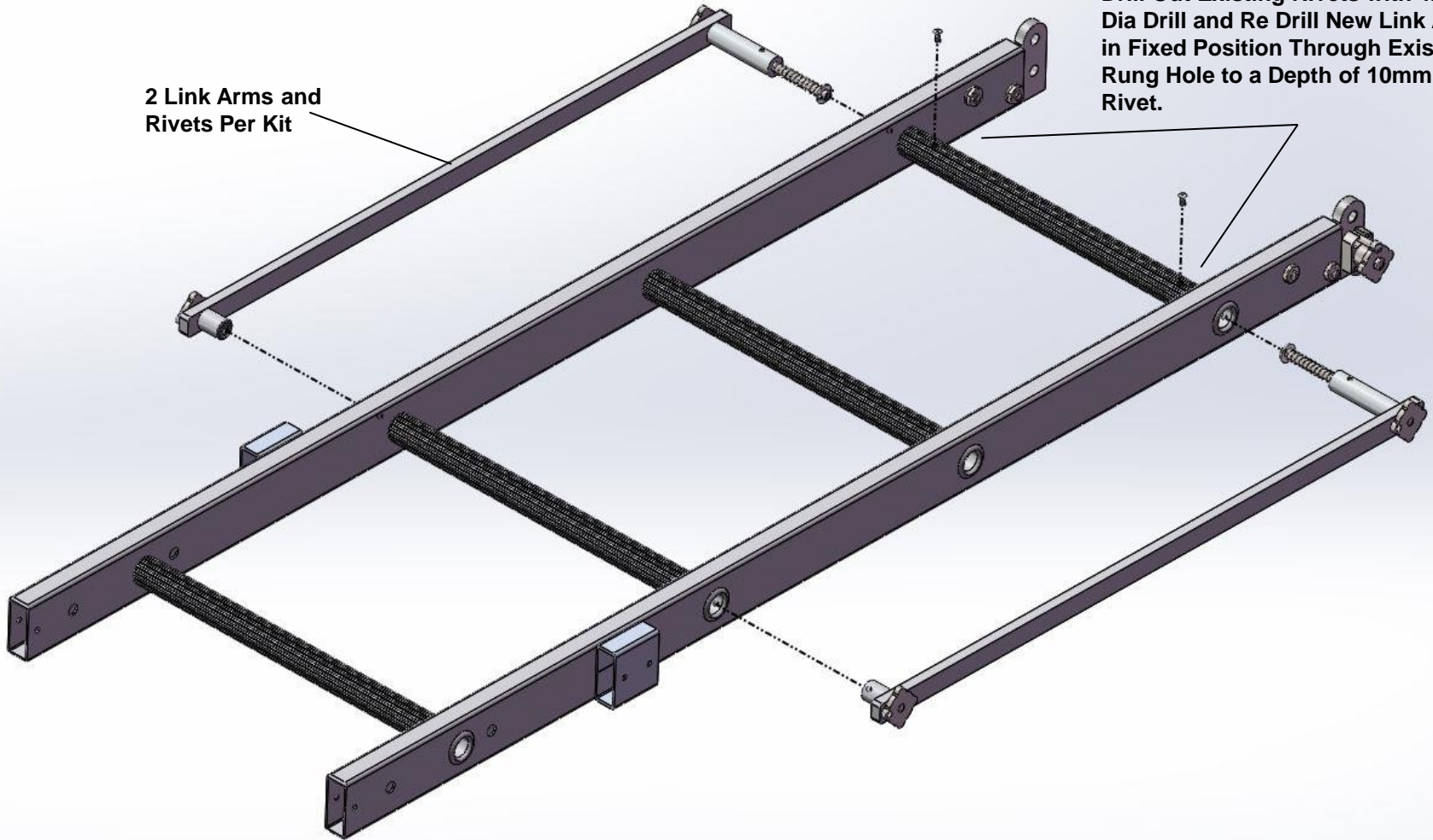


2 Feet Per Kit

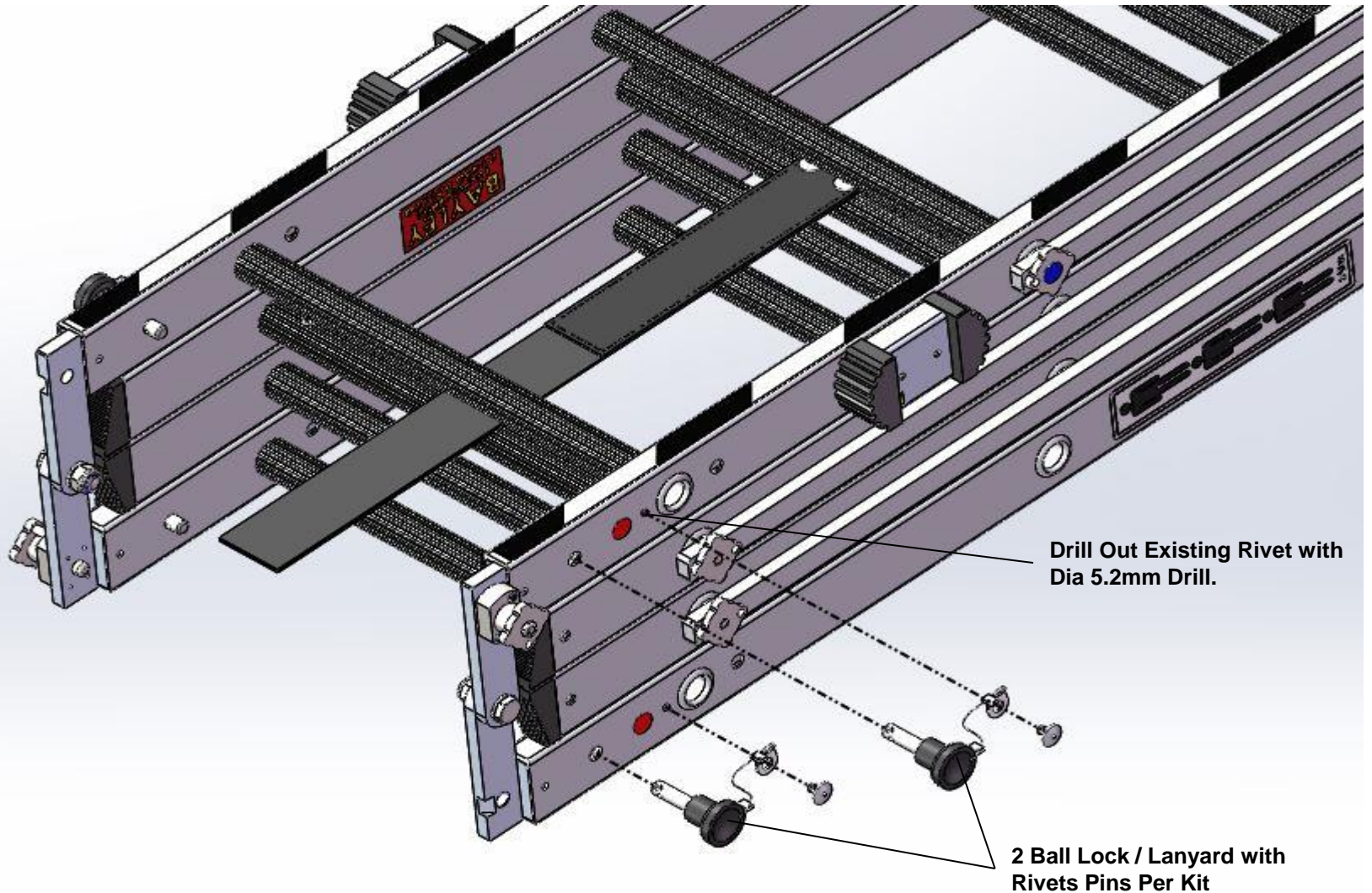
**BLSPLITSTOW/KIT2**  
**Link Arms – 2 off**

2 Link Arms and  
Rivets Per Kit

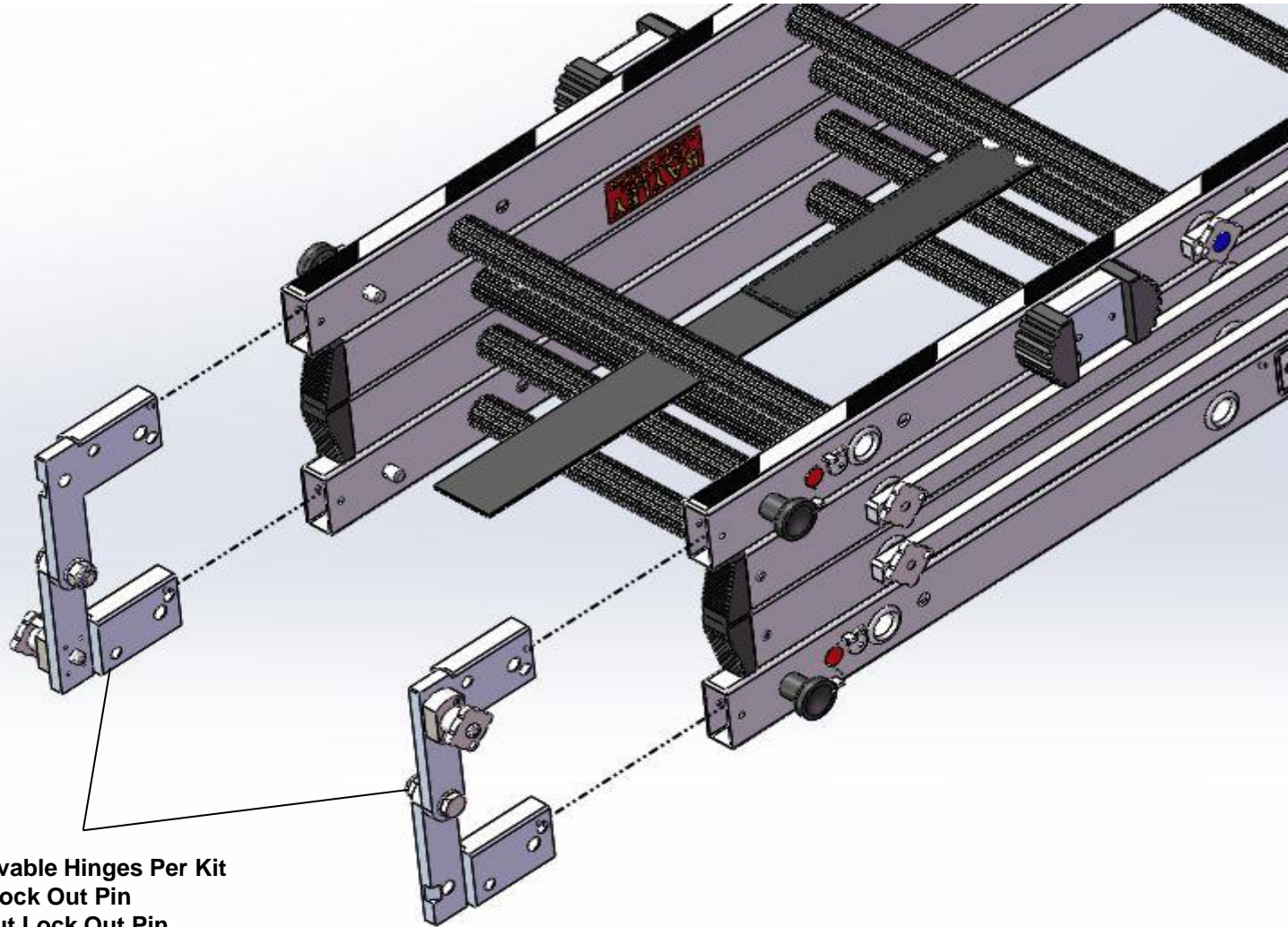
Drill Out Existing Rivets with 4.2mm  
Dia Drill and Re Drill New Link Arms  
in Fixed Position Through Existing  
Rung Hole to a Depth of 10mm Then  
Rivet.



**BLSPPLITSTOW/KIT3**  
**Ball Lock Pin & Lanyard – 2 off**



**BLSPLITSTOW/KIT4**  
**Removable Hinges – 2 off**



**2 Removable Hinges Per Kit**  
**1 with Lock Out Pin**  
**1 without Lock Out Pin**

**BLSPPLITSTOW/KIT5**  
**Fixed Hinges – 2 off**

