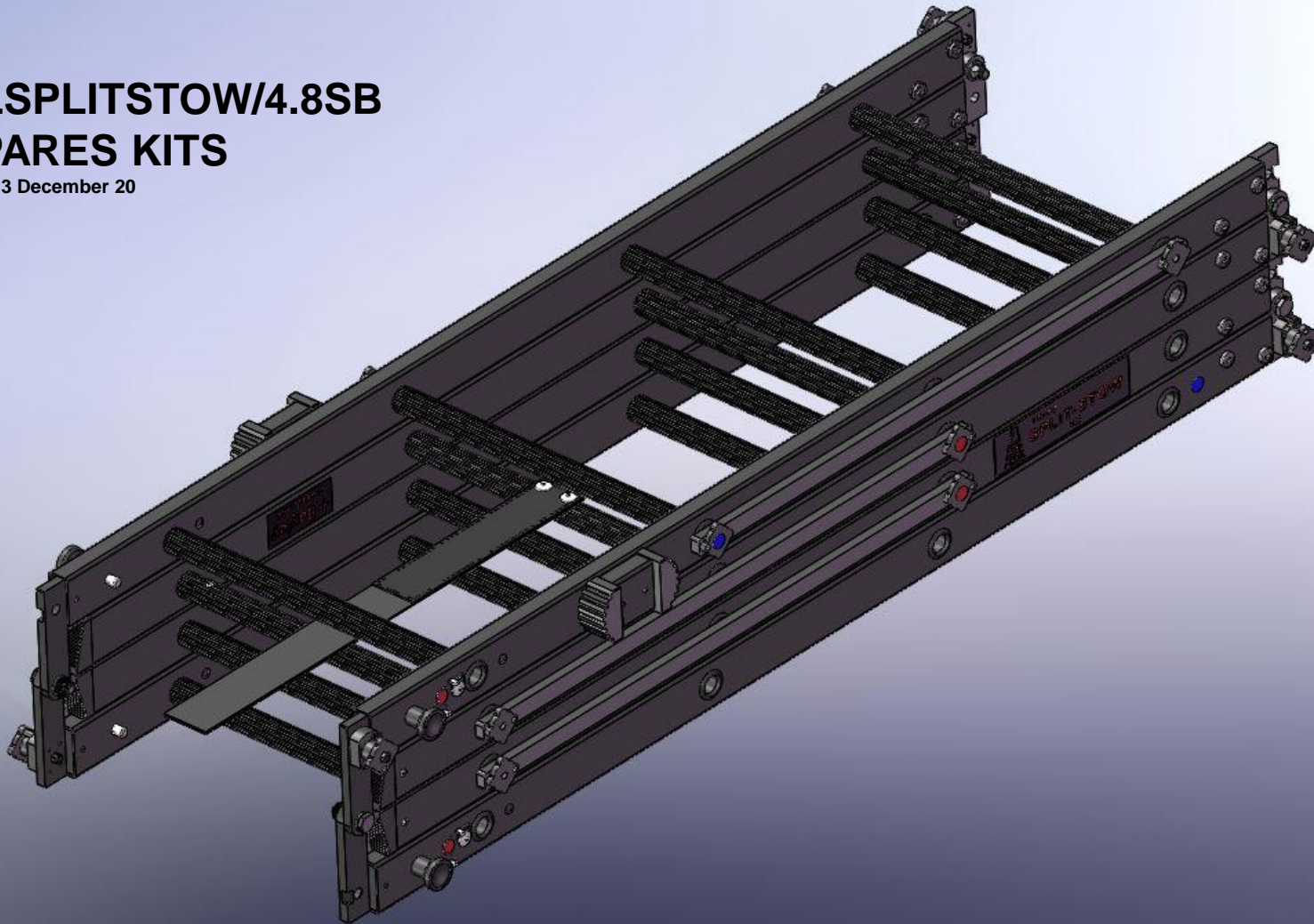


## **BLSPLITSTOW/4.8SB SPARES KITS**

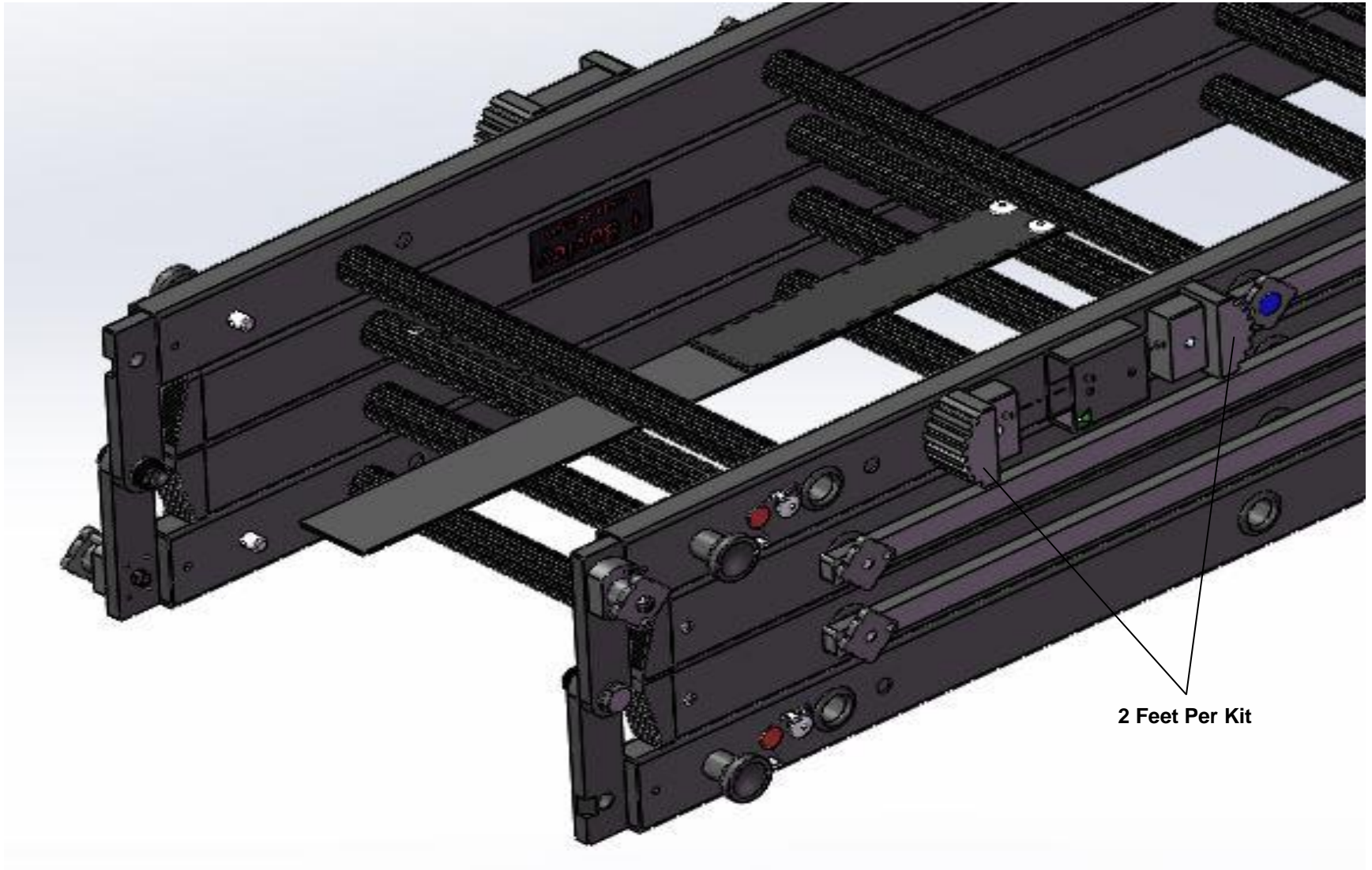
Issue 3 December 20



# BLSPLITSTOW/4.8SB SPARES KITS CATALOGUE/CONTENTS PAGE 1

Description	Page No
<b>Index Page</b>	
<b>BLSPLITSTOW/KIT1 (Removable Feet)</b>	<b>2</b>
<b>BLSPLITSTOW/KIT2B (Link Arms Black)</b>	<b>3</b>
<b>BLSPLITSTOW/KIT3B (Ball Lock Pin &amp; Lanyard Black)</b>	<b>4</b>
<b>BLSPLITSTOW/KIT4B (Removable Hinges Black)</b>	<b>5</b>
<b>BLSPLITSTOW/KIT5B (Fixed Hinges Black)</b>	<b>6</b>

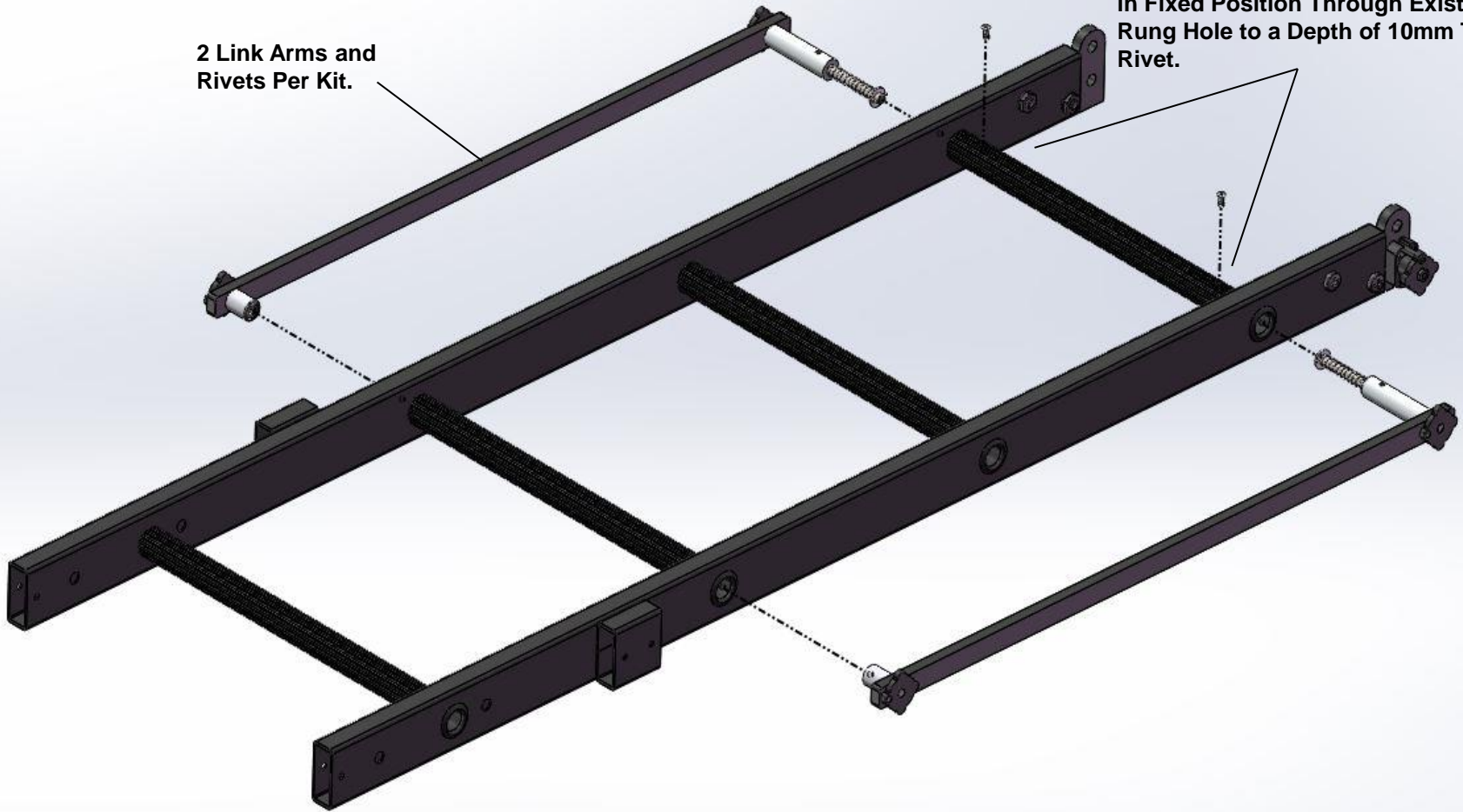
**BLSPLITSTOW/KIT1**  
Removable Feet – 2 off



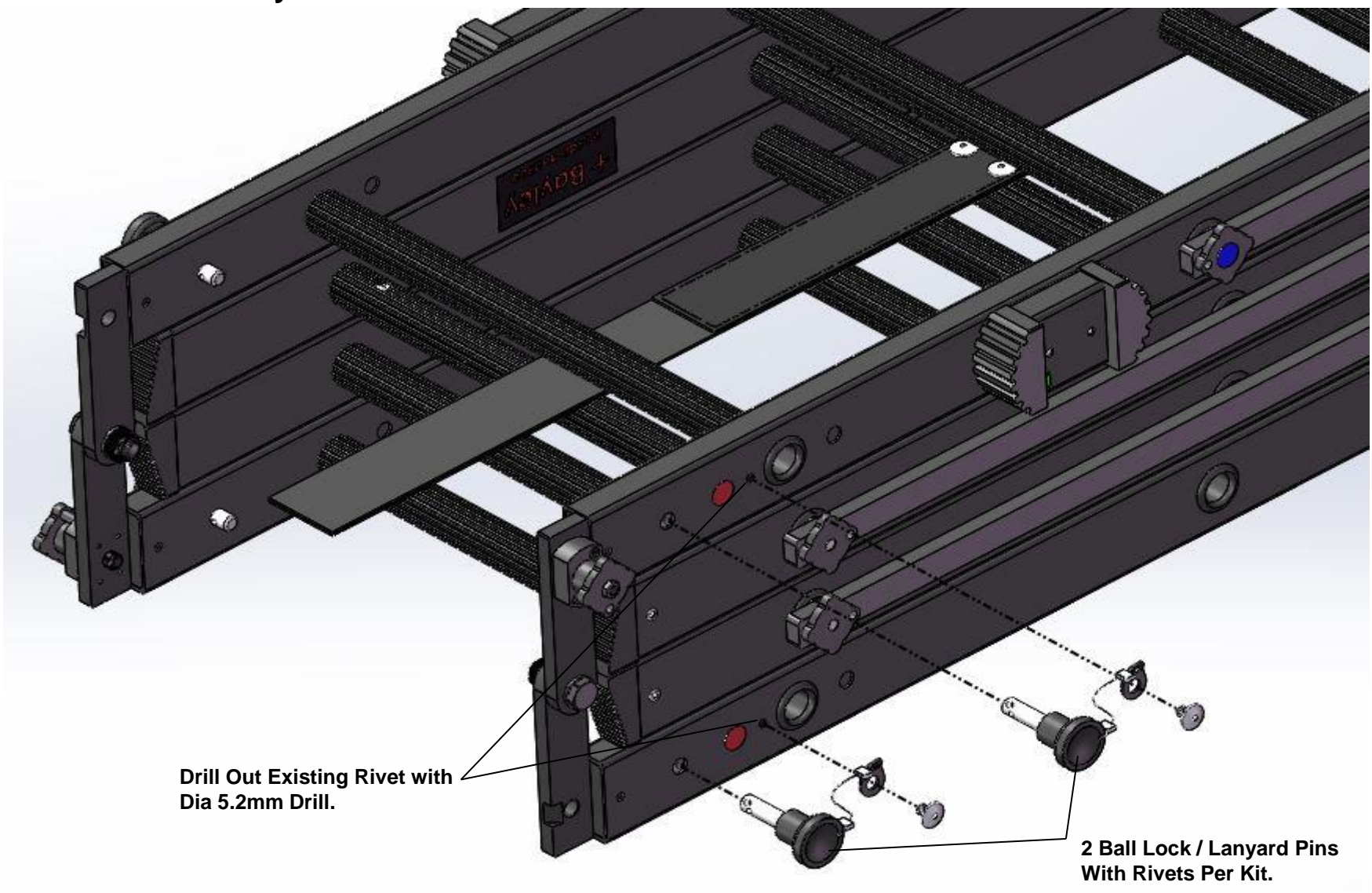
**BLSPLITSTOW/KIT2B**  
Link Arms – 2 off

2 Link Arms and  
Rivets Per Kit.

Drill Out Existing Rivets with 4.2mm  
Dia Drill and Re Drill New Link Arms  
in Fixed Position Through Existing  
Rung Hole to a Depth of 10mm Then  
Rivet.



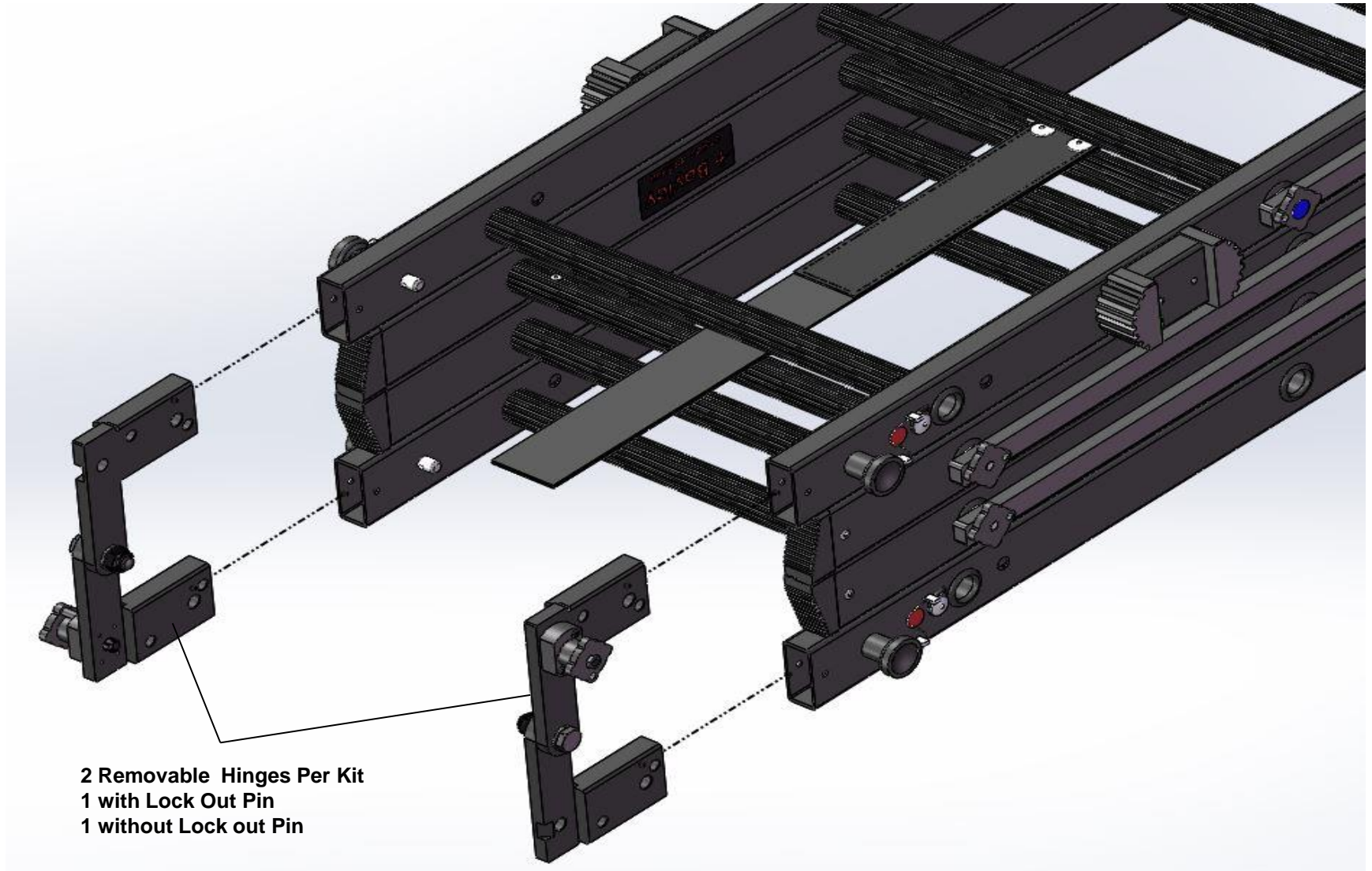
**BLSPLITSTOW/KIT3B**  
**Ball Lock Pin & Lanyard – 2 off**



Drill Out Existing Rivet with  
Dia 5.2mm Drill.

2 Ball Lock / Lanyard Pins  
With Rivets Per Kit.

**BLSPLITSTOW/KIT4B**  
**Removable Hinges – 2 off**



**2 Removable Hinges Per Kit**  
**1 with Lock Out Pin**  
**1 without Lock out Pin**

**BLSPLITSTOW/KIT5B**  
**Fixed Hinges – 2 off**

